

Dynamic pressure sensor

RPT-122 Code: 600-2500

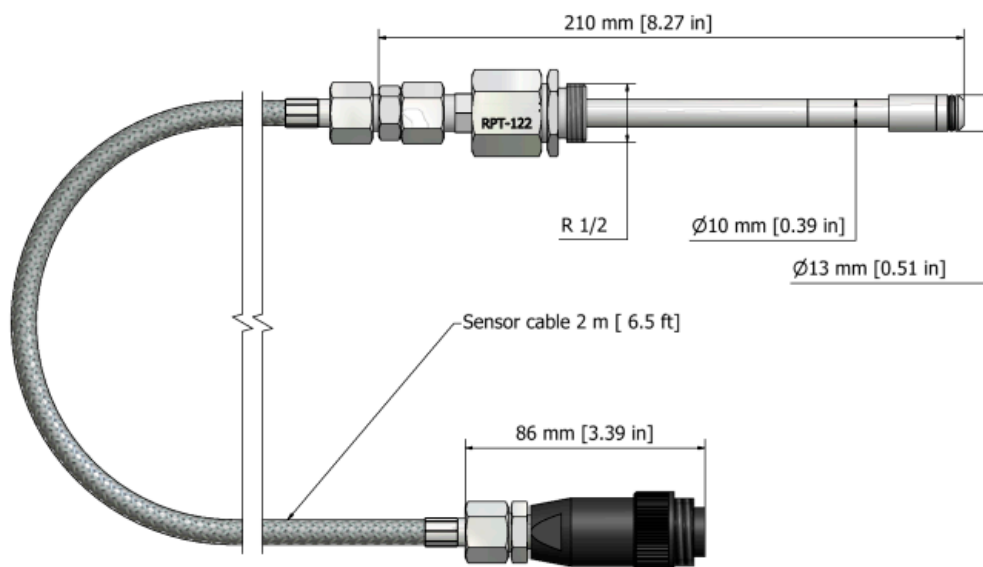
Key features

- Rugged design
- Corrosion resistant



RPT-122 is a sensor for measuring dynamic pressure variations in process. It is typically used for monitoring pulsations in paper machine short circulation and head box, and pneumatic pulsations in doctor blade loading devices. Synchronized measurements can be

utilized to determine the performance of roll covers and pulsation of short circulation pumps and screens. RPT-122 can be used with on-line and off-line condition monitoring systems.



RPT-122 specifications

Performance	Measurement range	690 kPa	100 psi	
	Sensitivity, $\pm 20\%$	6.16 mV/kPa	40 mV/psi	
	Resolution	0.014 kPa	2 mpsi	
	Resonant frequency	≥ 250 kHz		
	Rise time	≤ 2 μ s		
	Low frequency response, -5%	0.1 Hz		
	Non-linearity	$\leq 2\%$ FS		
Electrical	Operating voltage	24...27 VDC		
	Bias current	2...20 mA		
	Output impedance	< 100 Ω		
	Bias output voltage	8...14 VDC		
Environmental	Temperature range	0...+120 °C	+32...+250 °F	
	Storage temperature	-25...+85 °C	-13...+185 °F	
	Acceleration sensitivity	≤ 0.0014 kPa/(m/s ²)	≤ 0.002 psi/g	
	Max. vibration	2 000 g peak		
	Max. pressure	Sensor	6 895 kPa	1 kpsi
		Ball valve	1 000 kPa	145 psi
	Sealing	IP 66		
Physical	Material	Sensor	AISI316 or equal	
		Sensor cable	AISI316/PTFE	
	Weight	1.5 kg	3.5 lbs	
	Connector	Circular connectors		
		Pin 1	Signal/power	
Pin 2	Common			